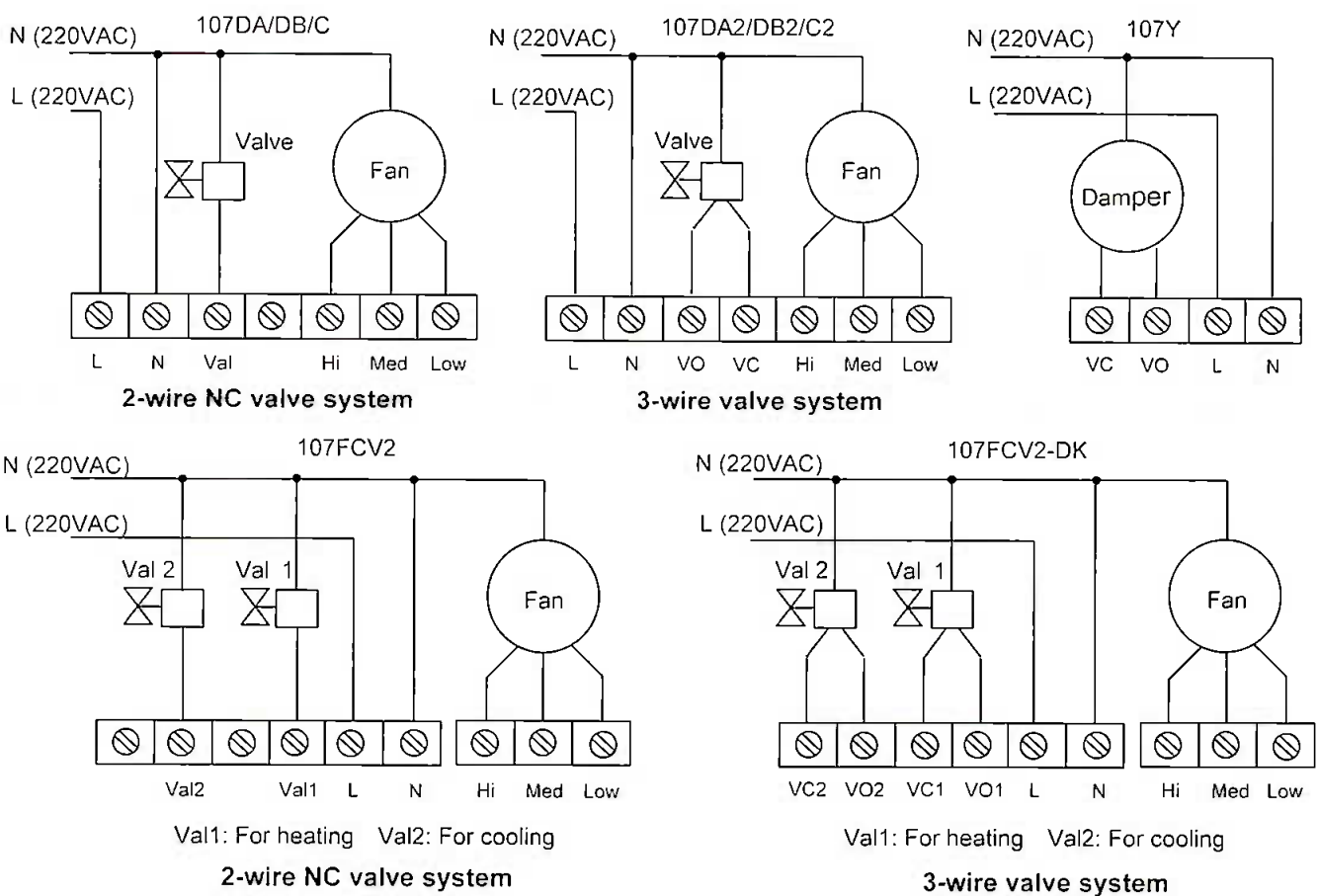


OPERATION INSTRUCTION:

There is temperature adjusting knob with scale mark on the front panel. There are also the Fan Speed Switch with HIGH-MED-LOW and the System Switch with HEAT-OFF-COOL on the front panel. The operation steps as follows:

- 1- Turn On/Off: Slide the switch to HEAT when you want heating; slide the switch to COOL when you want cooling. Set the switch to OFF, the thermostat will be turned off. 107C/C2 is only for cooling; the switches of 107Y is different from others (ON-OFF and HEAT-COOL), slide the switch to ON, the thermostat will be on; slide the switch to OFF, the thermostat will be off, slide the switch to HEAT for heating; slide the switch to COOL for cooling.
- 2- Set point: turn the adjusting knob to the desired temperature.
- 3- Fan Speed Selection: slide the fan speed switch to any positions of HIGH-MED-LOW you wanted.

WIRING DIAGRAM:



Wire Attention:

The correct model is compliant with the part number on packing label of thermostat box; Please checkout the correct model and use correct wiring diagram above when you wire.

Note: Be sure to connect all the wires as per the wiring diagrams and keep it away from water, mud and other material so as to prevent the unit being spoiled!

107 Series Thermostat Manual

PART NUMBER:

107Y: Control damper to open or close.

107C/C2: Cooling only, Control Motorized Valve and 3-speed fan, when the temperature reaches the set-point, it will close the Motorized Valve with the fan still running.

107DA/DA2: Control Motorized Valve and 3-speed fan, when the temperature reaches the set-point, it will close the Motorized Valve with the fan still running.

107DB/DB2: Control Motorized Valve and 3-speed fan, when the temperature reaches the set-point, it will close the Motorized Valve and Fan both.

107FCV2/FCV2-DK: Control 4 pipe fan coil units, Control two Motorized Valves and 3-speed fan, when the temperature reaches the set-point, it will close the Motorized Valves with the fan still running.

TECHNICAL DATA:

Temperature Range: 10~30°C adjustable

Switching Differential: Approx.±1°C

Operating Temperature: 0~45°C

Operating Humidity: 5~90%RH

Storage Temperature: -10~60°C

Operating Voltage: AC220V±10%, 50/60Hz

Switch current rating: 1(0.5)A

Wiring Diameter: 0.5~2.5mm²

Dimension: 130×85×43mm(H×W×D)

Hole pitch: 60mm

MOUNTING INSTRUCTION:

